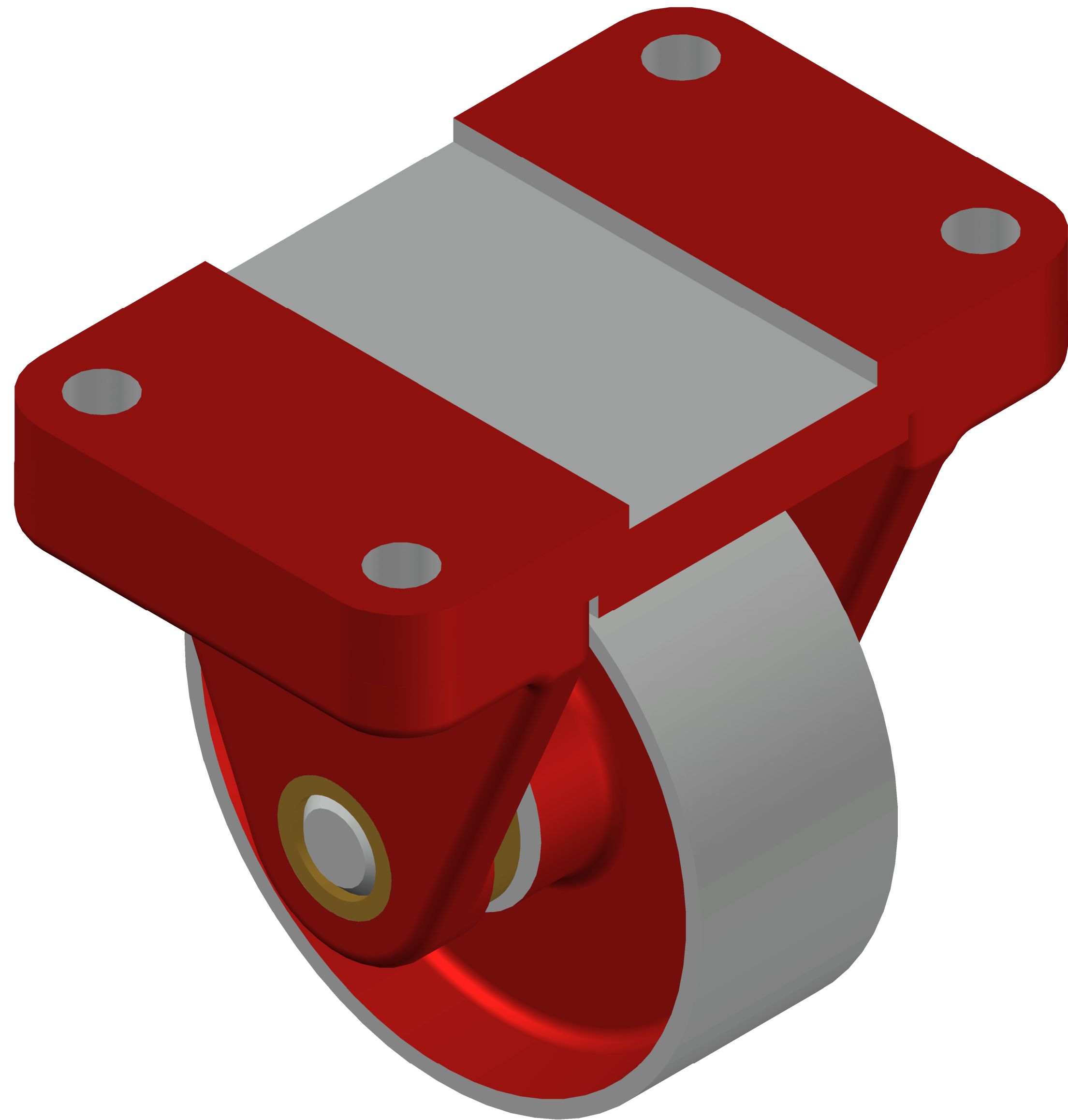


PARTS LIST			
ITEM	QTY.	PART NAME	MATERIAL
1	1	TOP PLATE	MALLEABLE IRON
2	1	WHEEL	MALLEABLE IRON
3	2	AXLE SUPPORT	MALLEABLE IRON
4	1	AXLE	SAE 1020
5	2	BUSHING	BRONZE

DDGT
DIGITAL DESIGN
GRAPHICS
TECHNOLOGY
WWW.DDGT.NET

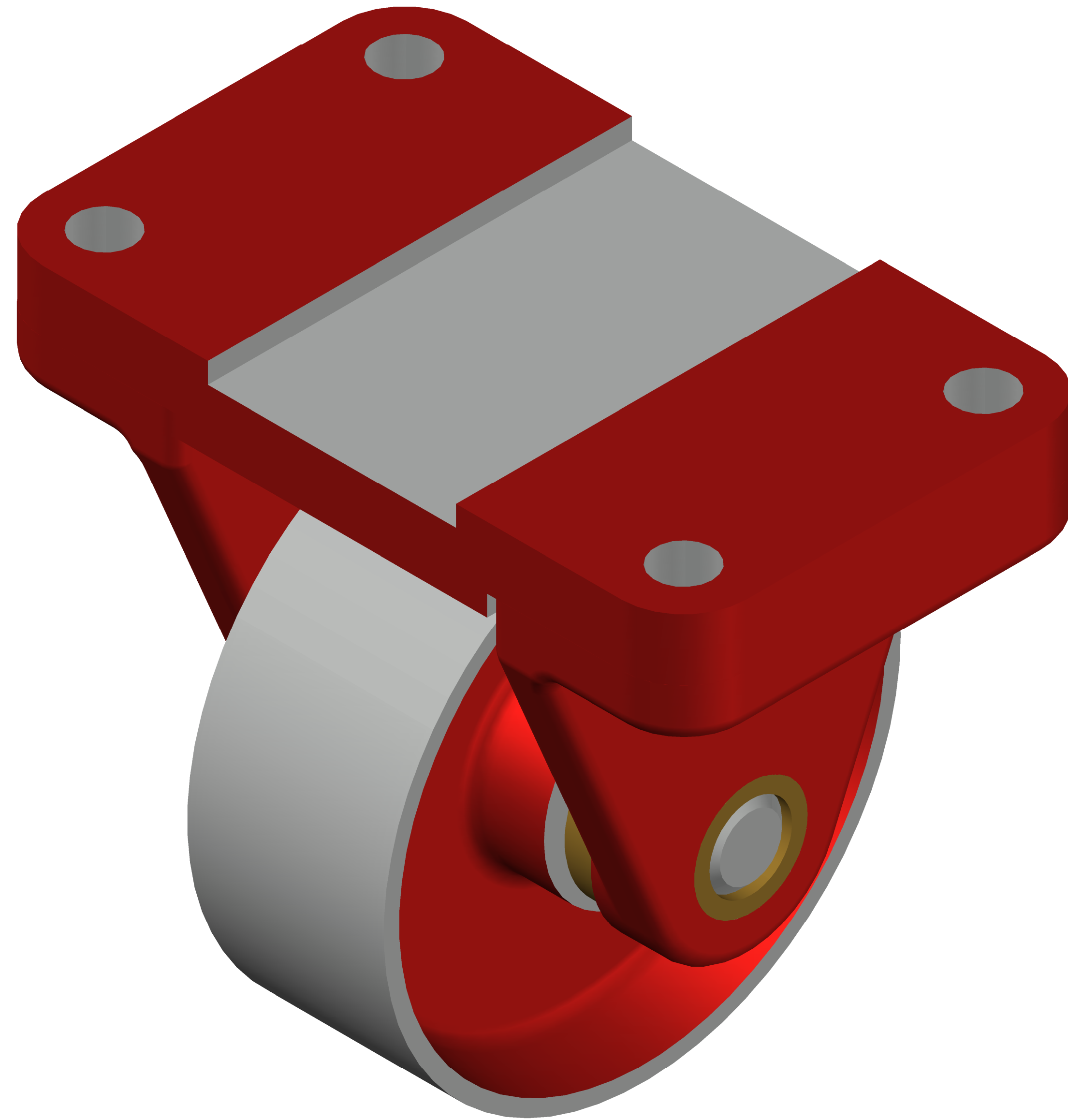
GENERAL NOTES:
FASTEN ASSEMBLY TO A 6MM STEEL PLATE BY FOUR M 10 X 40MM LONG HEX HEAD BOLTS, NUTS AND LOCK WASHERS, SHOW THE STEEL PLATE IN PHANTOM LINES.

ROUNDS AND FILLETS R 3



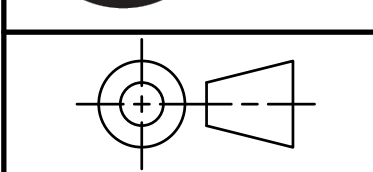
CASTER ASSEMBLY
SCALE 2:1

METRIC



CASTER ASSEMBLY
ALTERNATE VIEW
SCALE 2:1

WEEKEND WARRIOR
FABRICATION AND DESIGN
Metal Fabricator - Designer - Machinist
Jonathan K. Jordan
jonathankjordan@gmail.com
Weekend Hours, Professional Results
Trailer Repair - Custom Built Projects - Shade Structures
Steel - Aluminum - Stainless
www.ddgt.net/StudentPages/jordan



TOLERANCES UNLESS SPECIFIED:
MILLIMETERS = ±.5
X = ±.25
XX = ±.12
FRACTIONAL ±1/64"
ANGLES ±1 DEGREE
SURFACES \sqrt{R}

CLASS: DDGT 120

ASSIGNMENT #: 63

AUTOCAD DRAWING NAME:
CASTER ASSEMBLY

FIG #: 9-51

MANAGER: G. STROMMEN

DRAFTER: J. JORDAN

DATE: 12/3/2025

SCALE: AS NOTED

PAGE #: 1 OF 4

LEGEND	
SYMBOL	DESCRIPTION
∅	DIAMETER
R	RADIUS
°	DEGREES
	COUNTERBORE / SPOTFACE

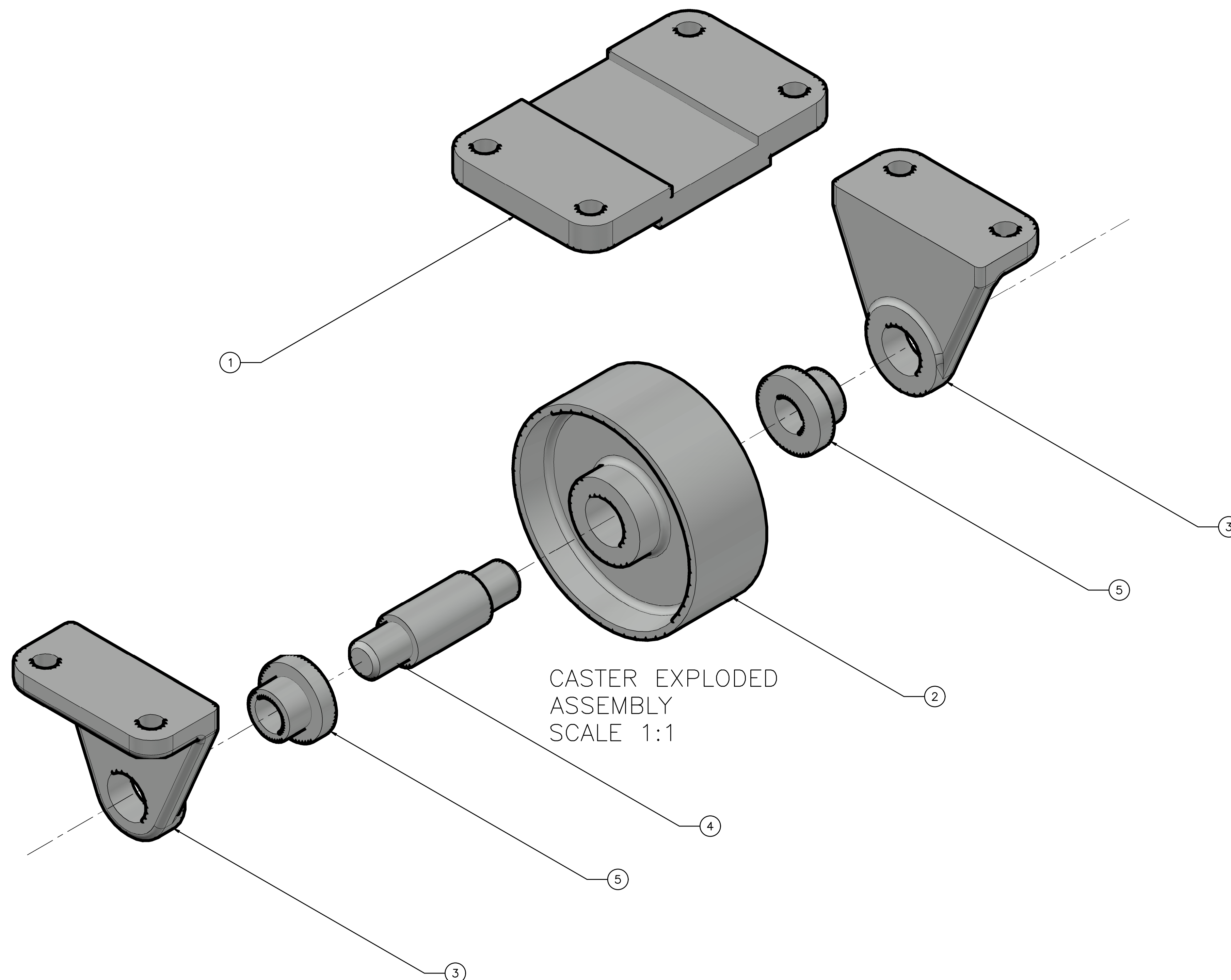
FIT	BETWEEN PARTS
H8/f7	4 AND 5
H7/p6	3 AND 5
H8/f7	2 AND 4

PARTS LIST		
ITEM	QTY.	PART NAME
1	1	TOP PLATE
2	1	WHEEL
3	2	AXLE SUPPORT
4	1	AXLE
5	2	BUSHING

DDGT
DIGITAL DESIGN
GRAPHICS
TECHNOLOGY
WWW.DDGT.NET

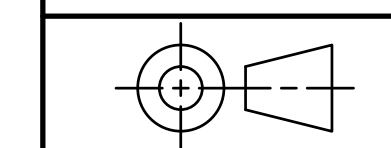
GENERAL NOTES:
FASTEN ASSEMBLY TO A 6MM STEEL PLATE BY FOUR M 10 X 40MM LONG HEX HEAD BOLTS, NUTS AND LOCK WASHERS, SHOW THE STEEL PLATE IN PHANTOM LINES.

ROUNDS AND FILLETS R 3



METRIC

WEEKEND WARRIOR
FABRICATION AND DESIGN
Metal Fabricator - Designer - Machinist
Jonathan K. Jordan
jonathankjordan@gmail.com
Weekend Hours, Professional Results
Trailer Repair - Custom Built Projects - Shade Structures
Steel - Aluminum - Stainless
www.ddgt.net/StudentPages/jordan



TOLERANCES UNLESS SPECIFIED:
MILLIMETERS = ±.5
X = ±.25
XX = ±.12
FRACTIONAL ±1/64"
ANGLES ±1 DEGREE
SURFACES $\sqrt{\text{R}}$

CLASS: DDGT 120
ASSIGNMENT #: 63

AUTOCAD DRAWING NAME:
CASTER ASSEMBLY
FIG #: 9-51
MANAGER: G. STROMMEN
DRAFTER: J. JORDAN
DATE: 5/14/2026
SCALE: AS NOTED
PAGE #: 2 OF 4

LEGEND	
SYMBOL	DESCRIPTION
∅	DIAMETER
R	RADIUS
°	DEGREES
	COUNTERBORE / SPOTFACE

PARTS LIST		
ITEM	QTY.	PART NAME
1	1	TOP PLATE
2	1	WHEEL

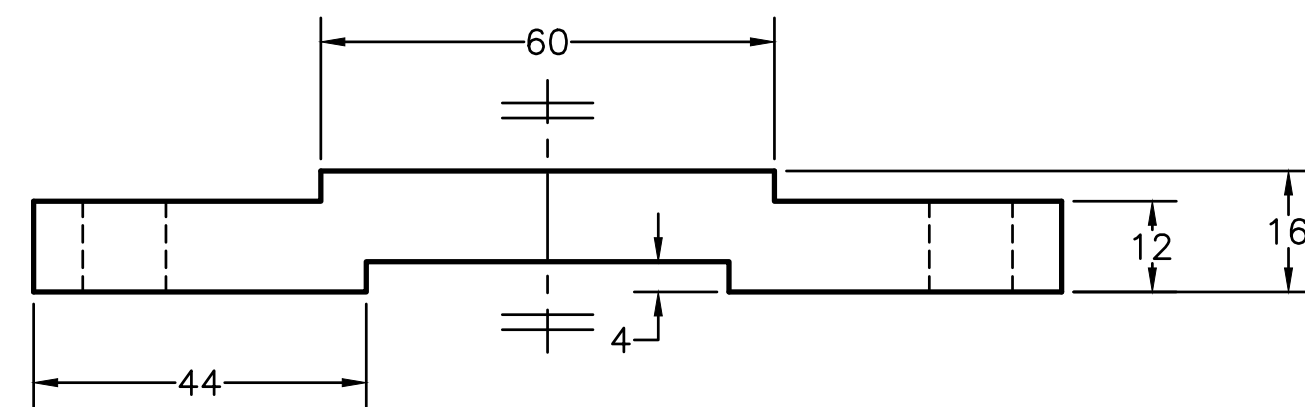
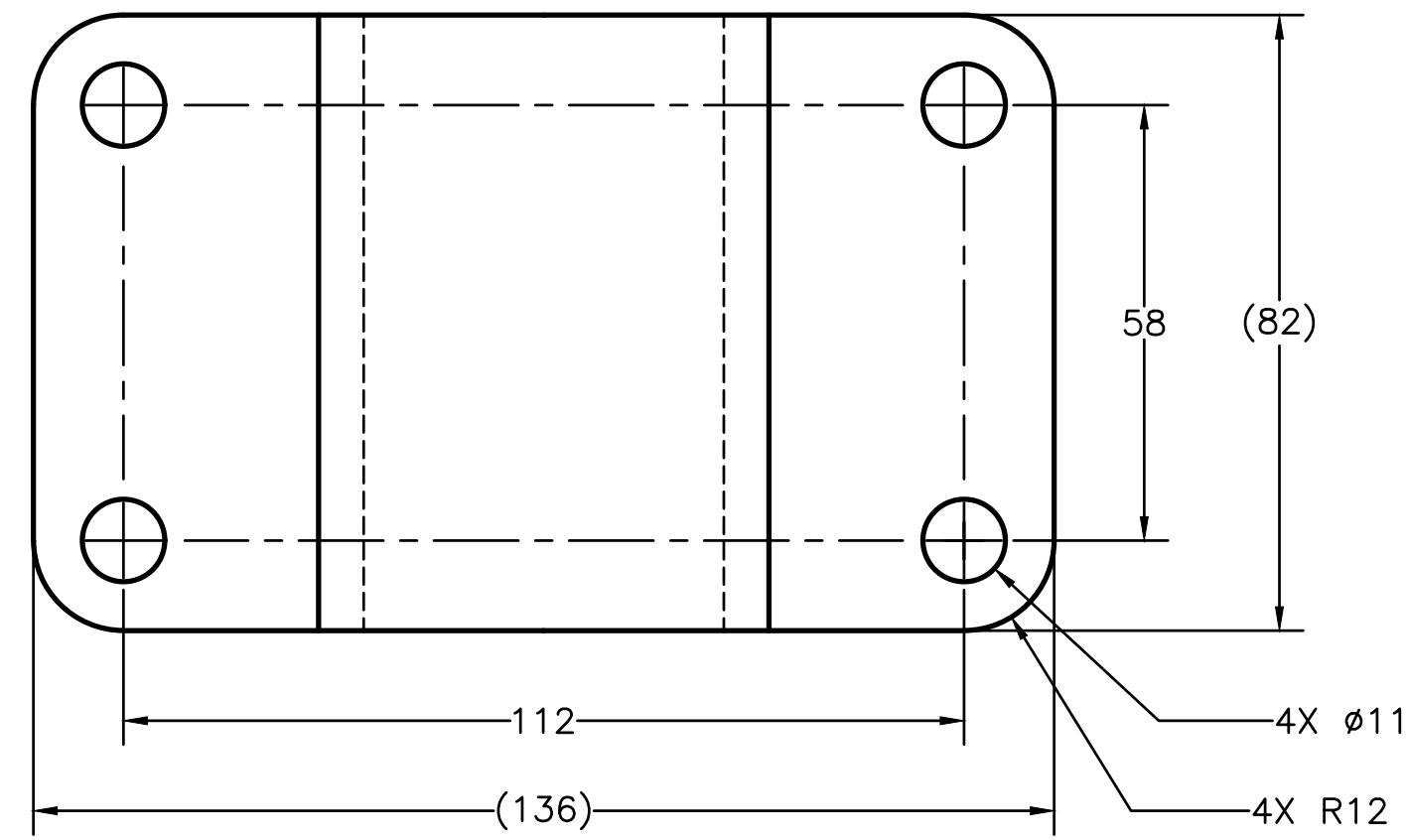


DIGITAL DESIGN
GRAPHICS
TECHNOLOGY

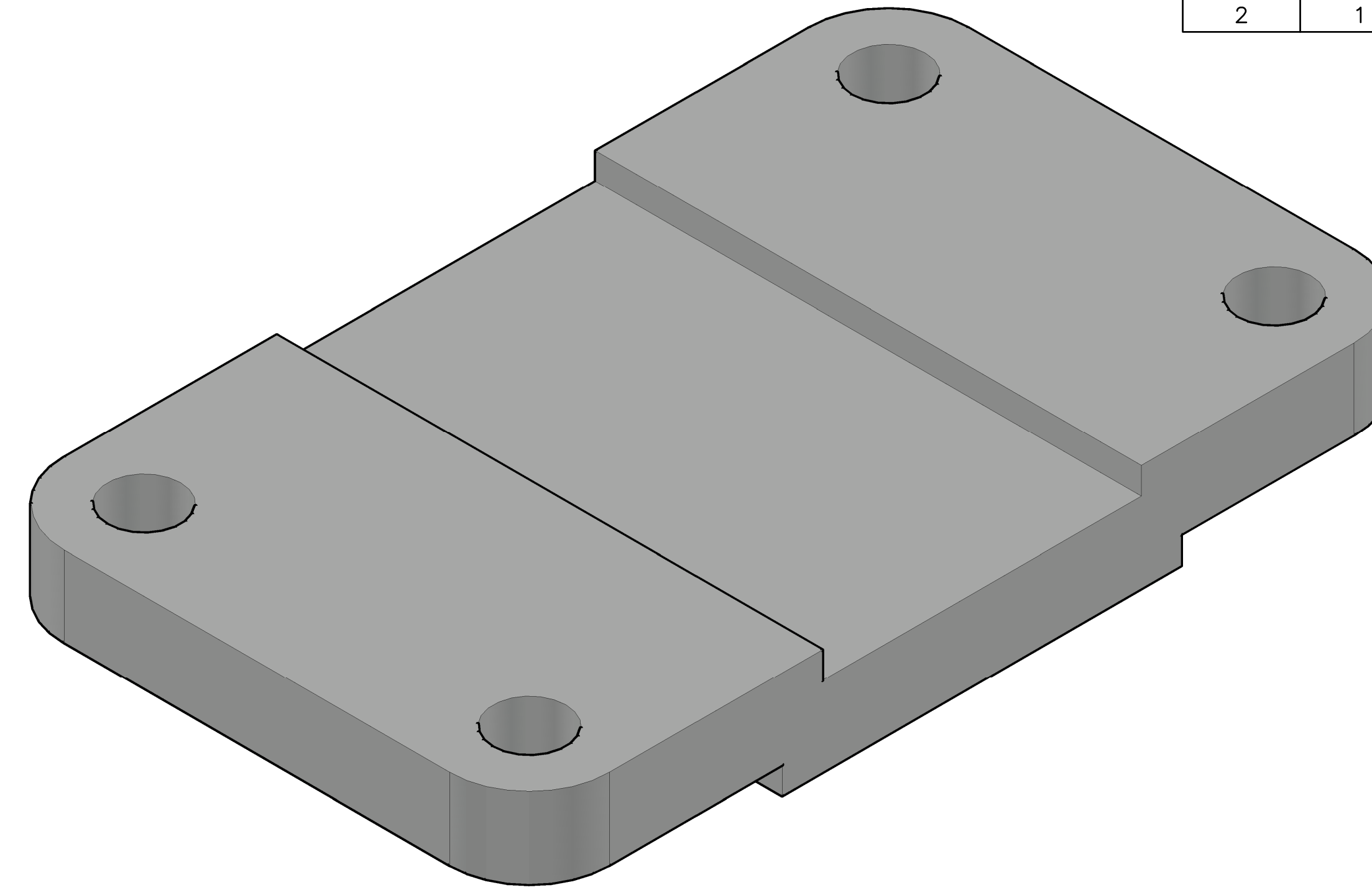
WWW.DDGT.NET

GENERAL NOTES:
FASTEN ASSEMBLY TO A 6MM STEEL PLATE BY FOUR M 10 X 40MM LONG HEX HEAD BOLTS, NUTS AND LOCK WASHERS, SHOW THE STEEL PLATE IN PHANTOM LINES.

ROUNDS AND FILLETS R 3

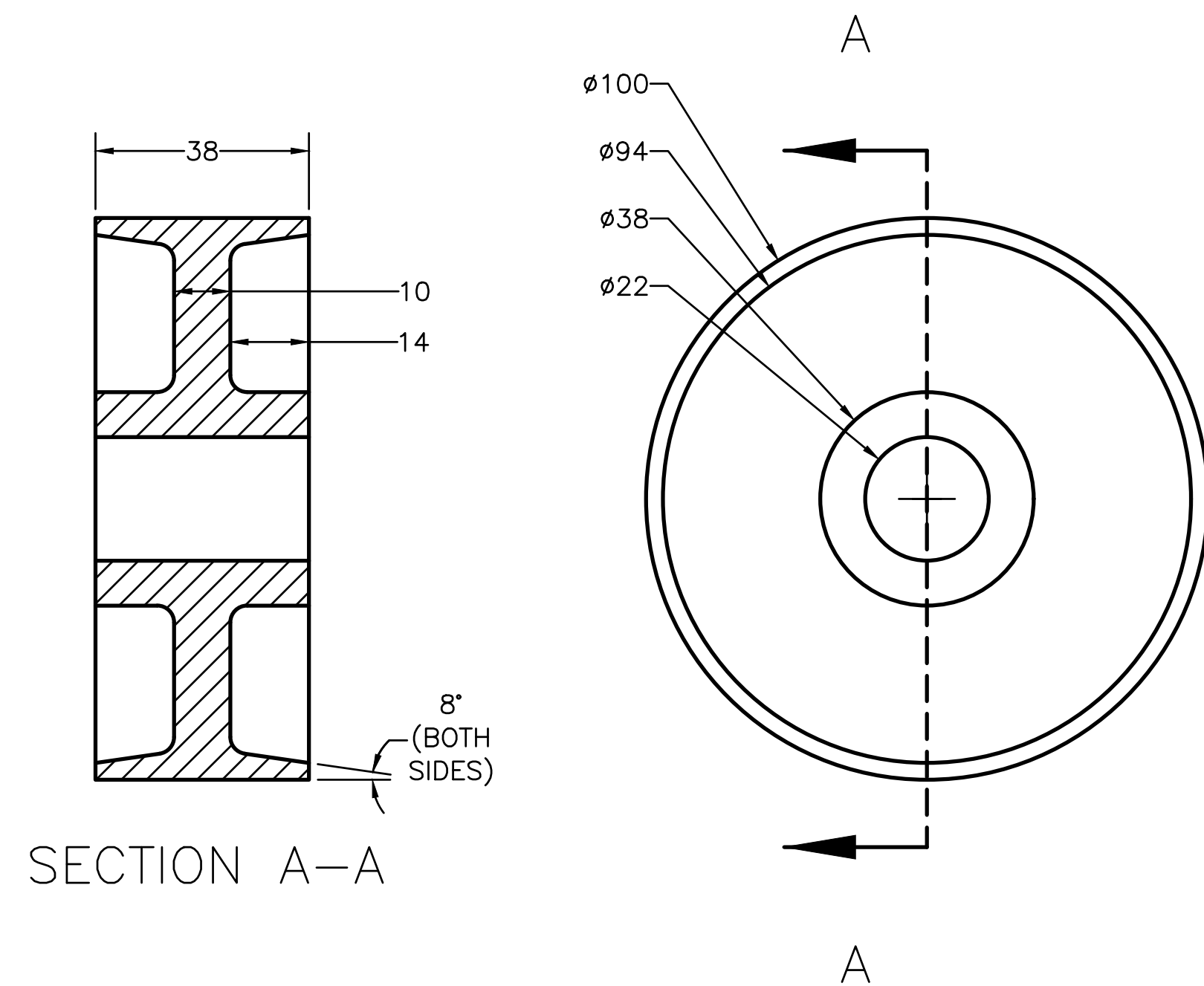


TOP PLATE
SCALE 1:1



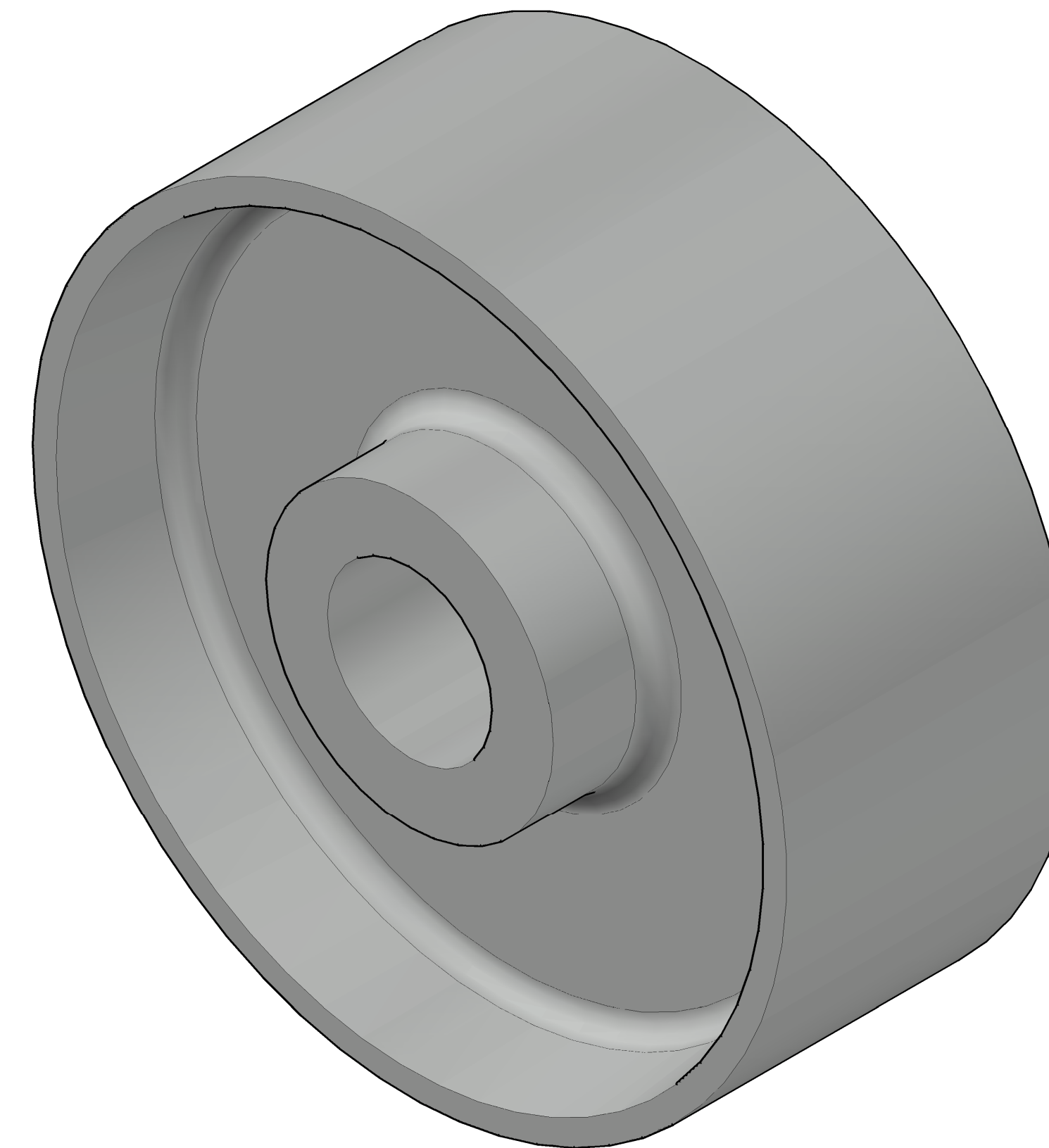
TOP PLATE –
3D
SCALE 2:1

METRIC



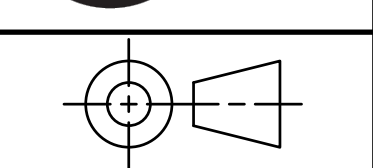
SECTION A-A

WHEEL
SCALE 1:1



WHEEL – 3D
SCALE 2:1

WEEKEND WARRIOR
FABRICATION AND DESIGN
Metal Fabricator - Designer - Machinist
Jonathan K. Jordan
jonathankjordan@gmail.com
"Weekend Hours, Professional Results"
Trailer Repair - Custom Built Projects - Shade Structures
Steel - Aluminum - Stainless
www.ddgt.net/StudentPages/jordan



TOLERANCES UNLESS SPECIFIED:
MILLIMETERS = ±.5
X = ±.25
XX = ±.12
FRACTIONAL ±1/64"
ANGLES ±1 DEGREE
SURFACES $\sqrt{\text{R}}$

CLASS: DDGT 120

ASSIGNMENT #: 63

AUTOCAD DRAWING NAME:

CASTER ASSEMBLY

FIG #: 9-51

MANAGER: G. STROMMEN

DRAFTER: J. JORDAN

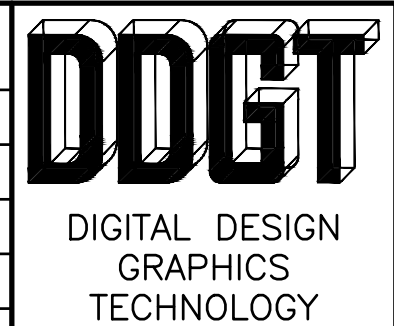
DATE: 5/14/2026

SCALE: AS NOTED

PAGE #: 3 OF 4

LEGEND	
SYMBOL	DESCRIPTION
Ø	DIAMETER
R	RADIUS
°	DEGREES
	COUNTERBORE / SPOTFACE

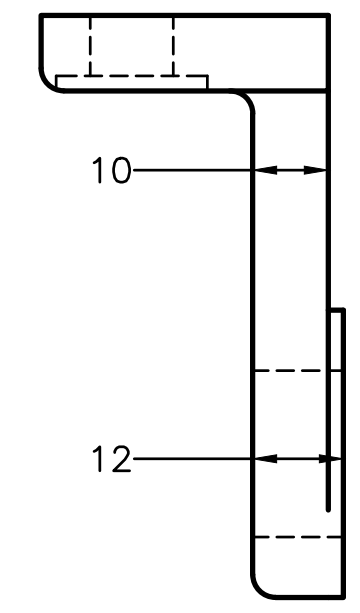
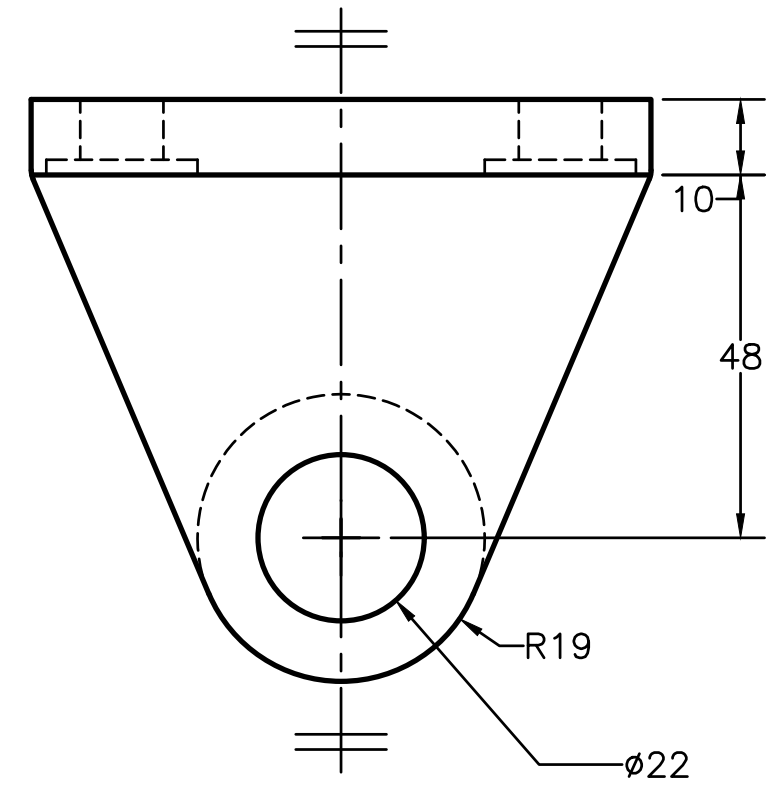
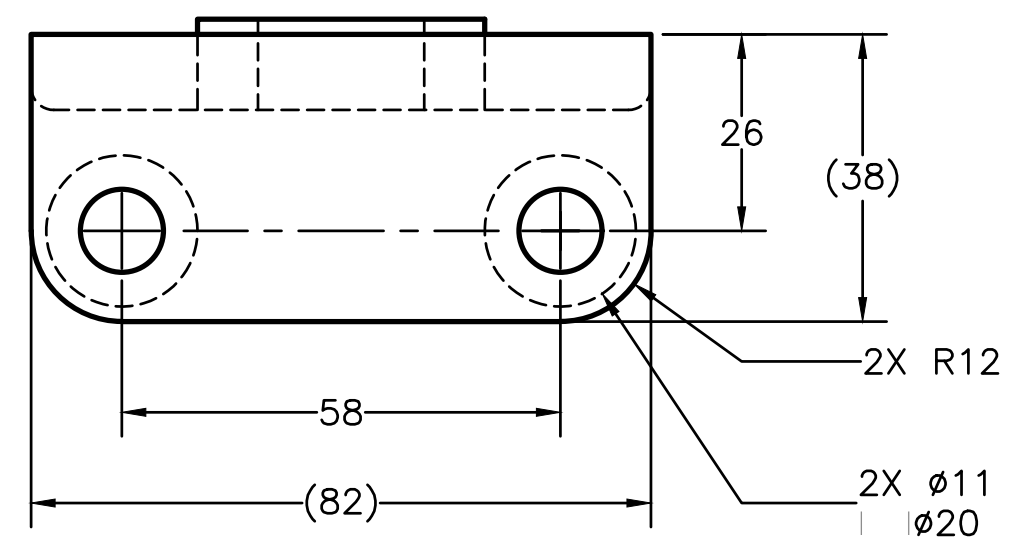
PARTS LIST		
ITEM	QTY.	PART NAME
3	2	AXLE SUPPORT
4	1	AXLE
5	2	BUSHING



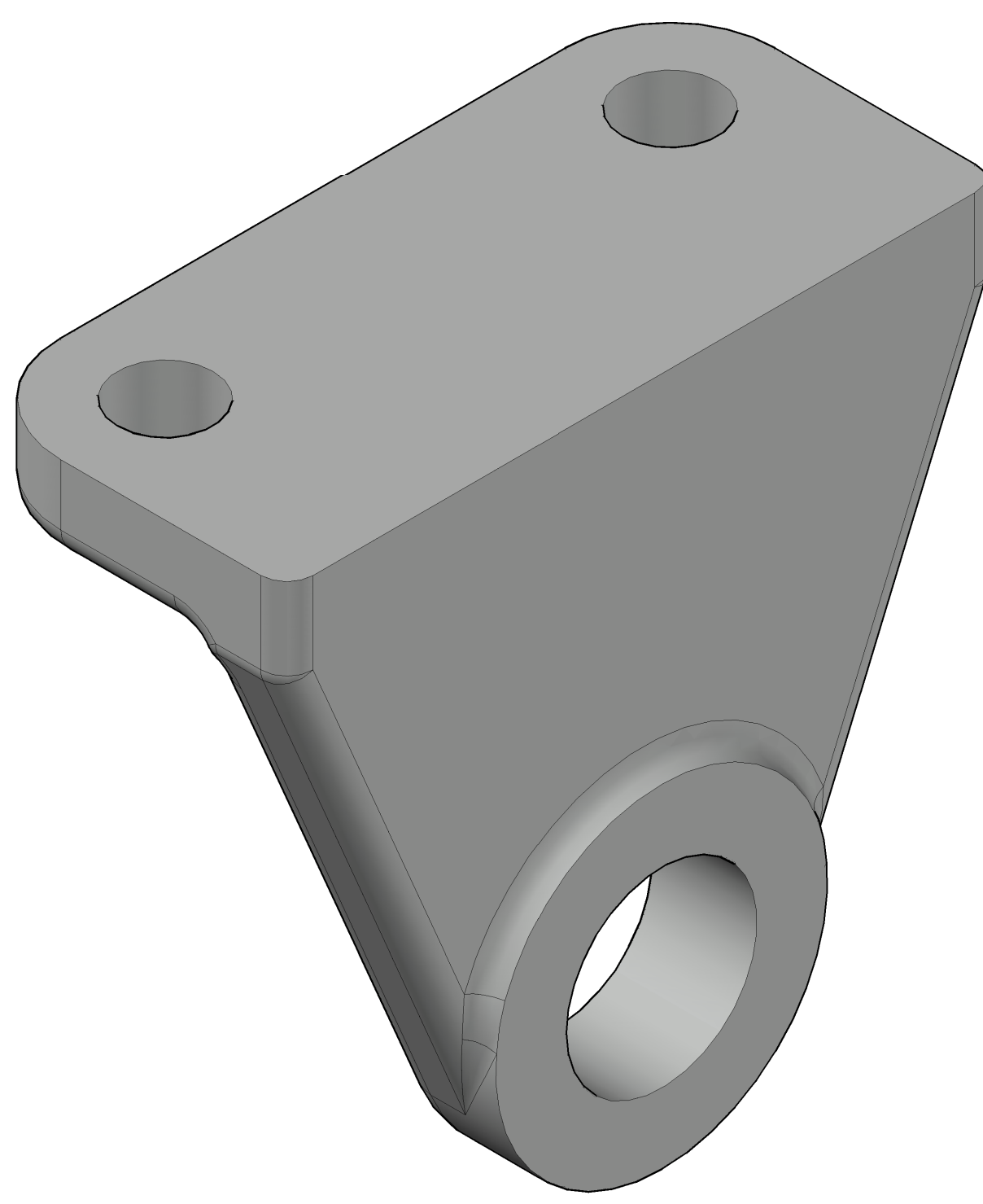
WWW.DDGT.NET

GENERAL NOTES:
 FASTEN ASSEMBLY TO A 6MM STEEL PLATE BY FOUR M 10 X 40MM LONG HEX HEAD BOLTS, NUTS AND LOCK WASHERS, SHOW THE STEEL PLATE IN PHANTOM LINES.

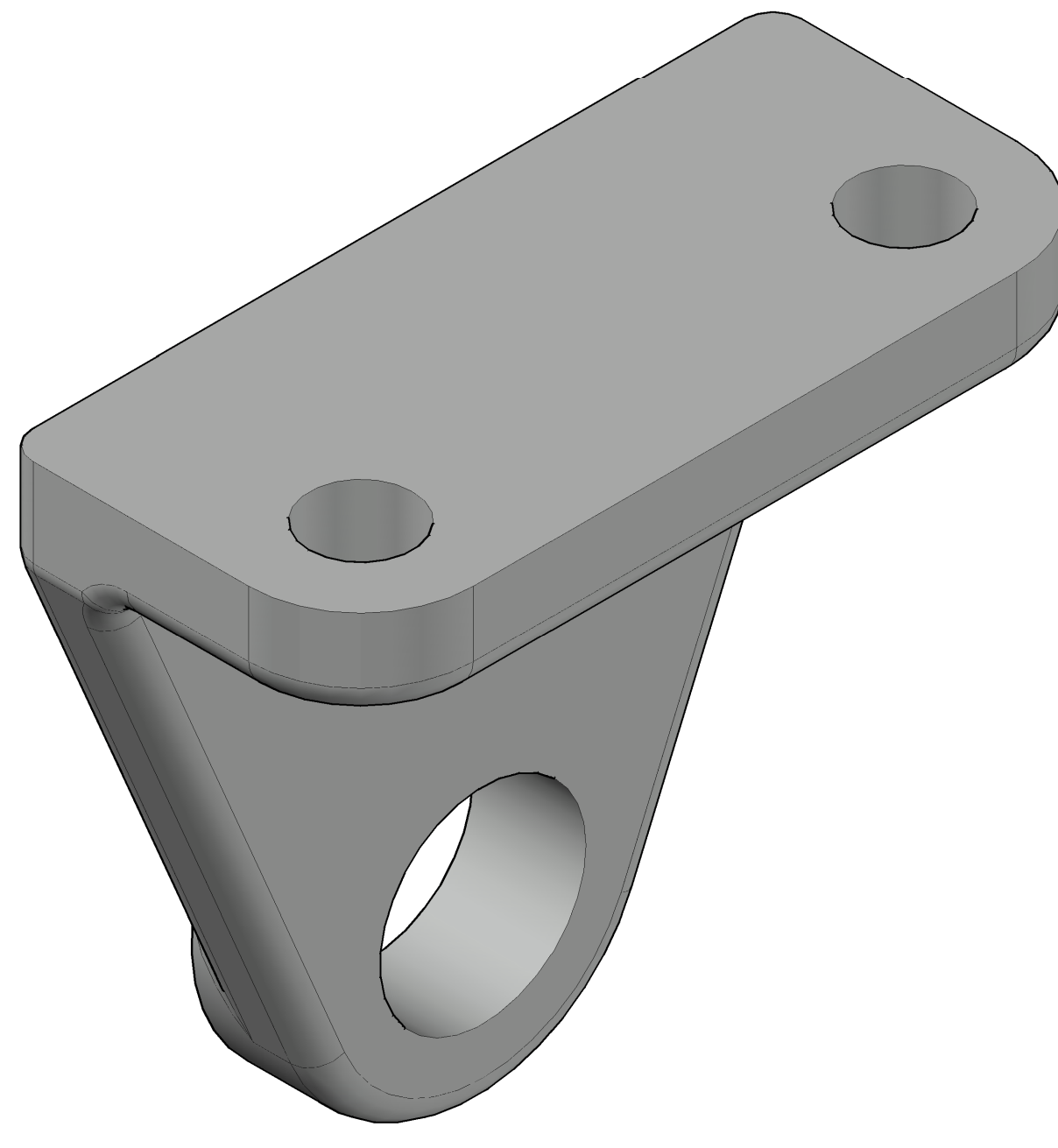
ROUNDS AND FILLETS R 3



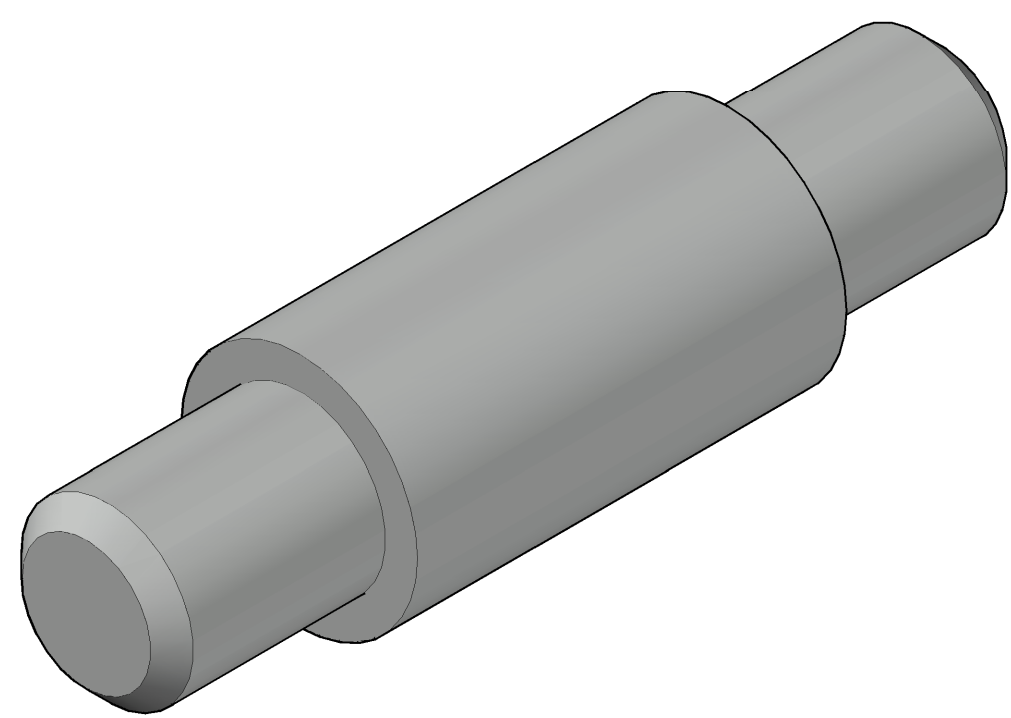
AXLE SUPPORT
SCALE 1:1



AXLE SUPPORT 3D
SCALE 2:1

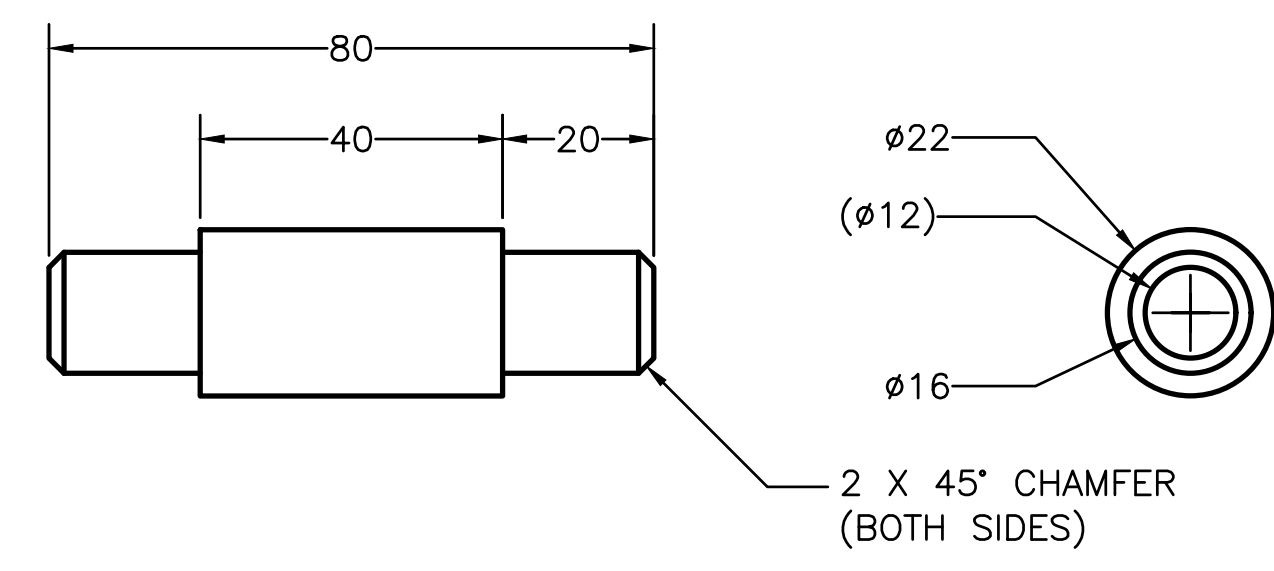


AXLE SUPPORT 3D
ALTERNATE VIEW
SCALE 2:1

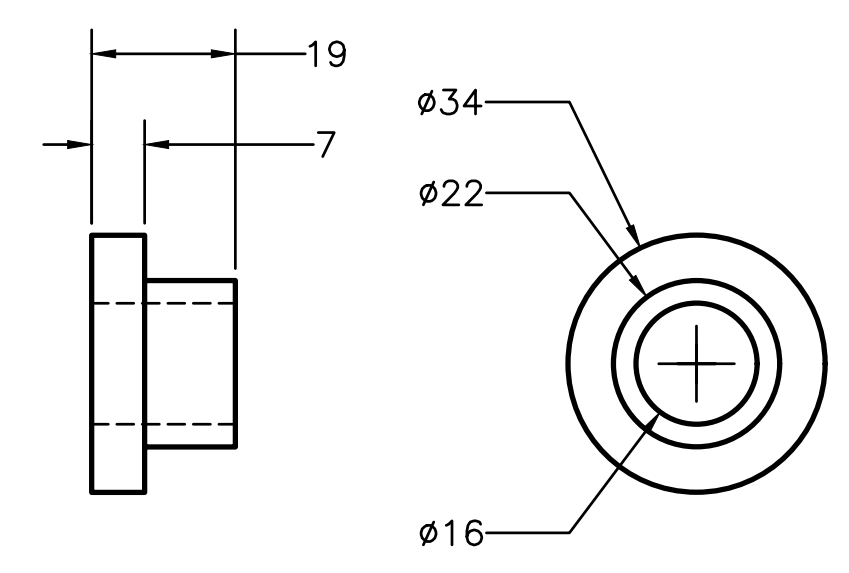


AXLE 3D
SCALE 1:2

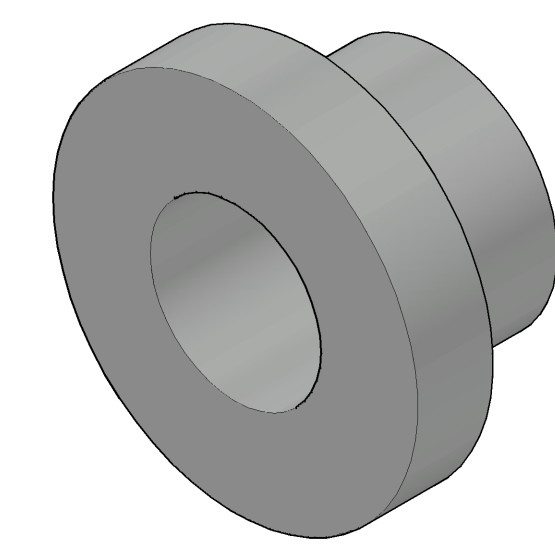
METRIC



AXLE
SCALE 1:1

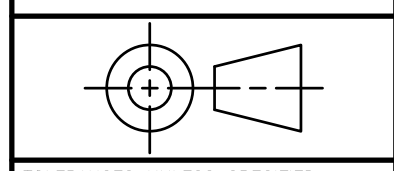


BUSHING
SCALE 1:1



BUSHING 3D
SCALE 2:1

WEEKEND WARRIOR
 FABRICATION AND DESIGN
 Metal Fabricator - Designer - Machinist
 Jonathan K. Jordan
 jonathankjordan@gmail.com
 Weekend Hours, Professional Results
 Trailer Repair - Custom Built Projects - Shade Structures
 Steel - Aluminum - Stainless
 www.ddgt.net/StudentPages/jordan



TOLERANCES UNLESS SPECIFIED:
 MILLIMETERS = ±.5
 X = ±.25
 XX = ±.12
 FRACTIONAL ±1/64"
 ANGLES ±1 DEGREE
 SURFACES \sqrt{R}

CLASS: DDGT 120
 ASSIGNMENT #: 63

LEGEND		AUTOCAD DRAWING NAME:	
SYMBOL	DESCRIPTION	FIG #:	9-51
Ø	DIAMETER	MANAGER:	G. STROMMEN
R	RADIUS	DRAFTER:	J. JORDAN
°	DEGREES	DATE:	12/3/2025
	COUNTERBORE / SPOTFACE	SCALE:	AS NOTED
		PAGE #:	4 OF 4